

SLA

FACTORY ACTIVATED

Lawn & Garden | SLA

REF SLA12-20



12v VOLTAGE - v

21.1Ah CAPACITY - Ah (20Hr)

20Ah CAPACITY - Ah (10Hr)

TECHNOLOGY

- Designed according to AGM technology (Absorbed acid)
- VRLA battery type
- Activated and pre-charged batteries
- Homologated by OEM

FEATURES

- AGM construction (Absorbed Glass Material)
- VRLA battery (Valve Regulated Lead Acid)
- Factory activated
- Environmentally friendly, spillproof design
- Multi-positional fitment
- Absolutely Maintenance free
- Sealed, no gas emission through venting hole (under normal operation)
- Ready & Easy to use
- No acid handling - Very safe
- Increased power & Extended life
- Extreme vibration resistance

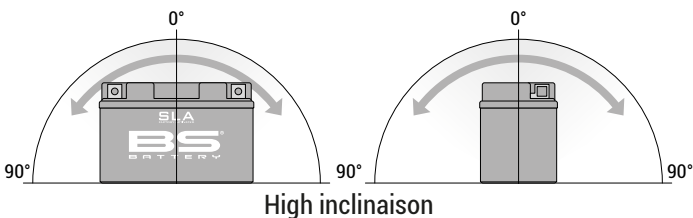
UPGRADE FOR

-

WEIGHT

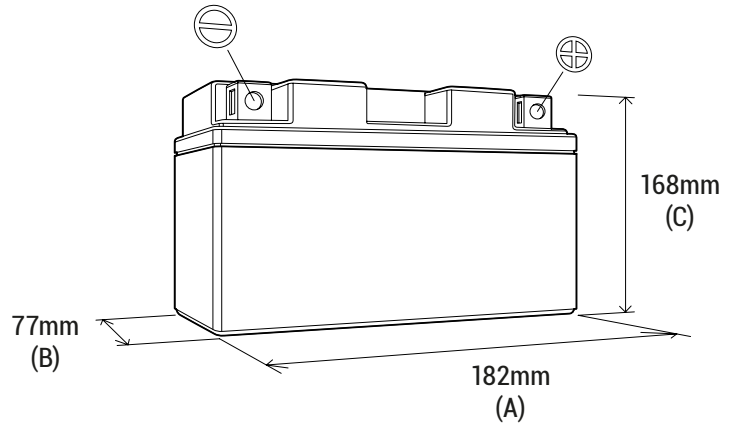
Battery (with acid) : Approx 5.20kg (11.02lbs)

MOUNTING ANGLE

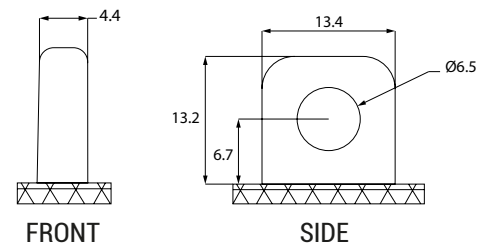


DIMENSIONS

Length (A) : 182±2mm (7.16in)
 Width (B) : 77±2mm (3.03in)
 Total height (C) : 168±2mm (6.61in)

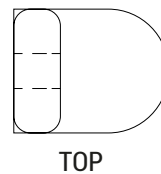


TERMINALS



FRONT

SIDE



TOP