

# SLA

FACTORY ACTIVATED

SLA | READY TO START

REF **BTZ8V**



**12V** VOLTAGE - V

**120A** CCA - A

**7.4Ah** CAPACITY - Ah (20Hr)

**7Ah** CAPACITY - Ah (10Hr)

## TECHNOLOGY

- Designed according to AGM technology (Absorbed acid)
- VRLA battery type
- Activated and pre-charged batteries
- Homologated by OEM

## FEATURES

- AGM construction (Absorbed Glass Material)
- VRLA battery (Valve Regulated Lead Acid)
- Factory activated
- Environmentally friendly, spillproof design
- Multi-positional fitment
- Absolutely Maintenance free
- Sealed, no gas emission through venting hole (under normal operation)
- Ready & Easy to use
- No acid handling - Very safe
- Increased power & Extended life
- Extreme vibration resistance

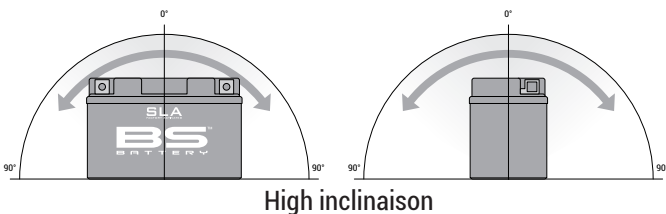
## UPGRADE FOR

?

## WEIGHT

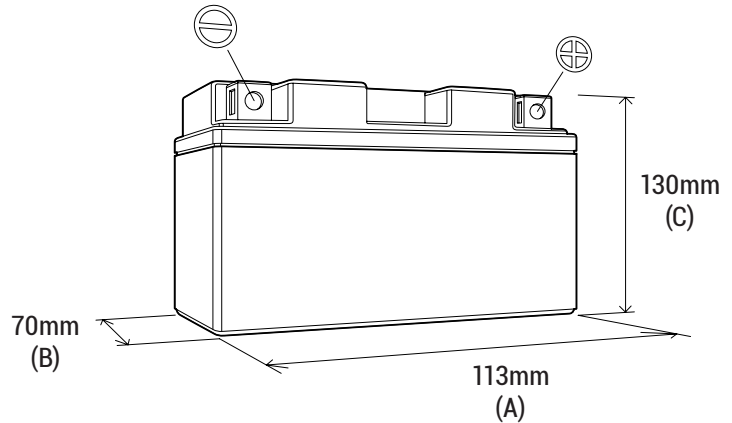
Battery (with acid) : Approx 2.35kg (5.18lbs)

## MOUNTING ANGLE



## DIMENSIONS

Length (A) : 113±2mm (4.45in)  
 Width (B) : 70±2mm (2.76in)  
 Container height : 130±2mm (5.12in)  
 Total height (C) : 130±2mm (5.12in)



## TERMINALS

