



DRY BATTERY

DRY | CONVENTIONAL

REF 53030



12v VOLTAGE - v

300A CCA - A

30Ah VOLTAGE - Ah (20Hr)

TECHNOLOGY

- Lead acid dry charged construction (absorbed acid)
- No acid in cells, must be filled with acid before use
- 6 & 12V batteries

FEATURES

- Upright installation only
- Has to be checked periodically and refilled with water if necessary
- Internal gas emission through venting hole
- Handle with care to prevent acid spillage
- Regular life duration
- Does not need to be recharged while stocked

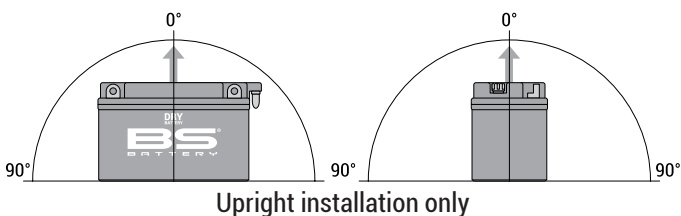
UPGRADE FOR

-

WEIGHT

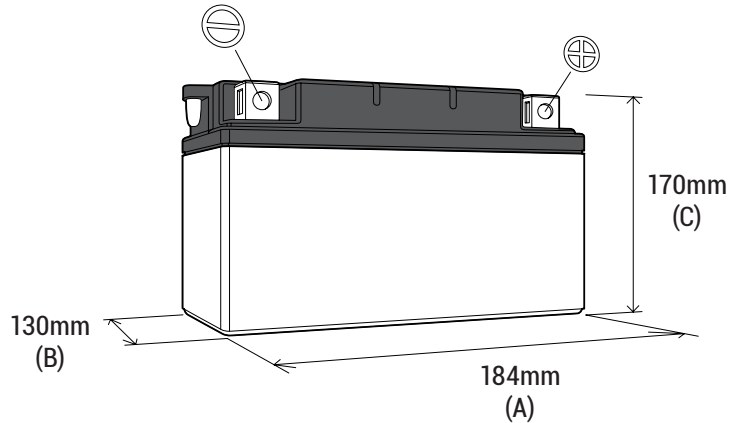
Battery (with acid) : Approx 8.71kg (19.20lbs)

MOUNTING ANGLE



DIMENSIONS

Length (A) : 184±2mm (7.24in)
 Width (B) : 130±2mm (5.12in)
 Container height : 170±2mm (6.69in)
 Total height (C) : 170±2mm (6.69in)



TERMINALS

